

## Product Code: CD-150

39-inch White Fireclay standard 1.5 bowl ceramic inset sink with reversible drainer



## PRODUCT FEATURES

- **Fine Fireclay Construction:** Expertly crafted for lasting durability and a timeless aesthetic.
- **HPC™ Density Tech:** Utilizing High-Pressure Casting to achieve 30% higher density than traditional manufacturing methods.
- **1200°C HYPER-FIRING:** Processed in a 22-hour tunnel kiln for a surface that is exceptionally resistant to scratches, stains, chips, and thermal shock.
- **Reinforced Design:** Engineered to withstand the rigors of both professional culinary environments and residential kitchens.
- **Standard Drain:** Features a standard 3-1/2" drain opening.

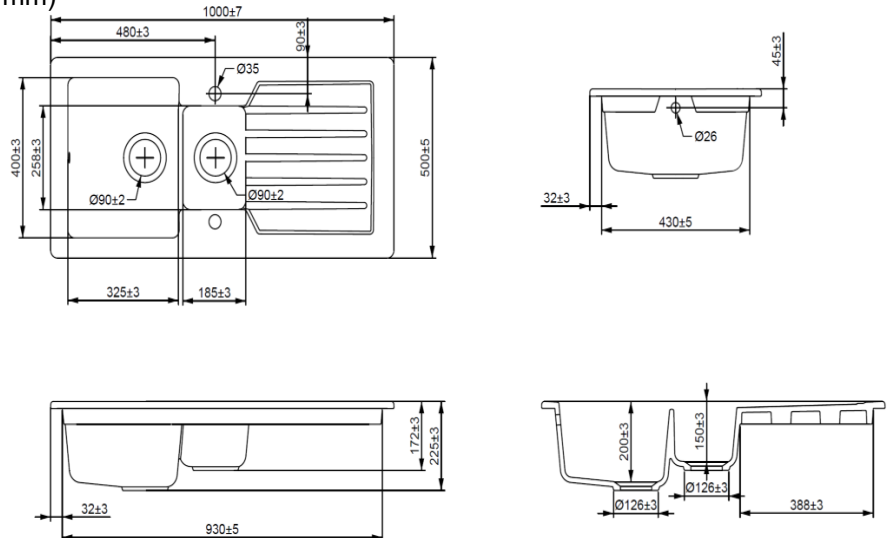
## COLORS

- **Standard Colors:** White
- **Premium Colors:** Matte Gray    Matte Black



## TECHNICAL INFORMATION

- **Sink Dimensions:**  
39 3/8" x 19 11/16" x 8 7/8" (1000\*500\*225 mm)
- **Please note tolerances on drawing.**
- **N.W.:** 30.95 KG



## STANDARDS APPLICAB

- **cUPC** (Uniform Plumbing Code)
- **CE** (European Conformity)
- **UKCA** (UK Conformity Assessed)
- **WaterMark**